



Data sheet

APP pumps APP 5.1-10.2



Nessie®
Danfoss
MADE IN DENMARK
PUMP
Type: APP 7.2
Serial No. 39002003-272
Code No. 180B3007

Table of Contents	1.	General information.....	2
	2.	Benefits.....	3
	3.	Technical data	3
	4.	Flow at different rpm	4
	5.	Power requirements	4
	6.	Inlet pressure	5
	7.	Temperature and corrosion.....	5
	7.1	Operation.....	5
	7.2	Storage	5
	8.	Noise level	5
	9.	Filtration.....	6
	10.	Dimensions	6
	10.1	APP pump	6
	10.2	Complete unit	7
	11.	Installation.....	8
	11.1	Mounting.....	8
	11.2	Open-ended systems with water supply from tank.....	8
	11.3	Open-ended system with direct water supply.....	8
	11.4	RO system with APP pump	9
	12.	Service.....	9
	12.1	Periodic maintenance	9
	12.2	Repair	9

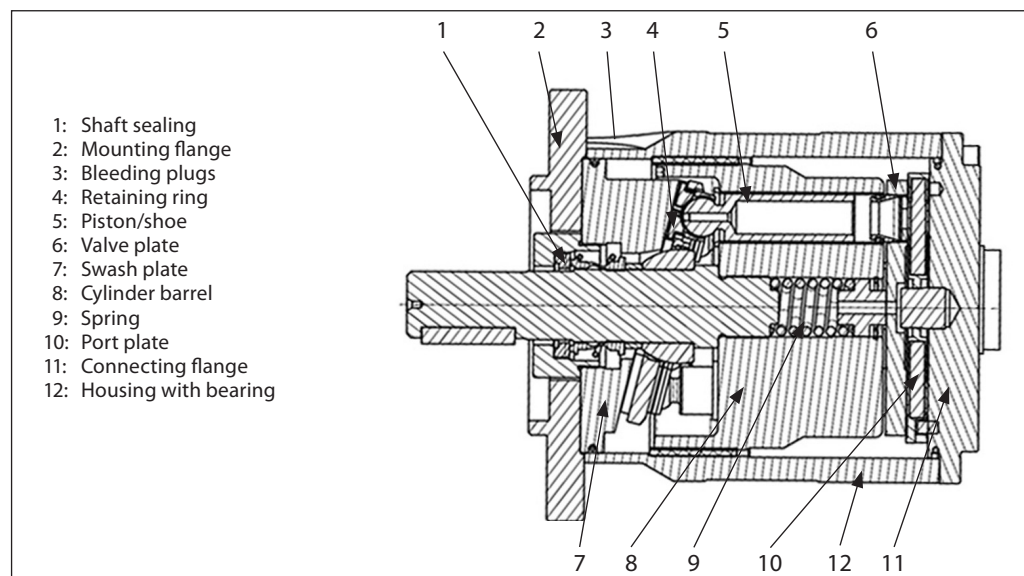
1. General information

APP 5.1, APP 6.5, APP 7.2, APP 8.2 and APP 10.2 pumps are designed to supply low viscosity and corrosive fluids under high pressure, e.g. in seawater reverse osmosis filtration applications and for high pressure salt water pumping.

The APP pumps are based on the axial piston principle enabling a very light and compact design, and they are designed so that lubrication of the moving parts in the pumps is provided by the fluid itself. No oil lubrication is thus required.

All parts included in the APP pumps are designed to provide long service life, i.e. long service life with a constantly high efficiency and minimum of service required.

The pumps are fixed displacement pumps in which the flow is proportional to the number of revolutions of the input shaft and the pump displacement, regardless of any counter-pressure.



2. Benefits

- One of the smallest and lightest pumps on the market.
- Can be powered by a combustion engine provided that a special coupling is used.
- Generates insignificant pulsations in the pressure line.
- No preventive maintenance required (no periodic service like e.g. change of lubricant and wearing parts).
- Long service life. Danfoss guarantees 8,000 hours maintenance-free operation.
- All parts of the pump are made of non-corrosive materials e.g. Duplex (SAF 2205/ EN1.4462) and Super Duplex (SAF 2507/ EN1.4410) stainless steel and carbon reinforced PEEK.
- High efficiency.

3. Technical data

Code number		180B3005	180B3006	180B3007	180B3008	180B3010
APP pumps		APP 5.1	APP 6.5	APP 7.2	APP 8.2	APP 10.2
Geometric displacement	cm ³ /rpm	50	63	70	80	100
	in ³ /rpm	3.05	3.84	4.27	4.88	6.10
Flow (1800 rpm) ¹⁾	m ³ /h	5.0	6.4	7.2	8.2	10.2
	gpm	22.0	28.2	31.7	36.1	44.9
Min. pressure ²⁾	bar	20	20	20	20	20
	psi	290	290	290	290	290
Max. pressure, cont. ³⁾	bar	80	80	80	80	80
	psi	1160	1160	1160	1160	1160
Max. pressure, intermittent ⁴⁾	bar	100	100	100	100	100
	psi	1450	1450	1450	1450	1450
Max. speed cont. ⁵⁾	rpm	1800	1800	1800	1800	1800
Min. speed cont.	rpm	700	700	700	700	700
Power requirement at 80 bar and 1800 rpm	kW	13.7	17.3	19.2	21.7	27.4
	hp	18.4	23.2	25.7	29.1	36.7
Weight	kg	30	30	30	30	30
	lb	66	66	66	66	66

¹⁾ Typical average flow at 80 bar.

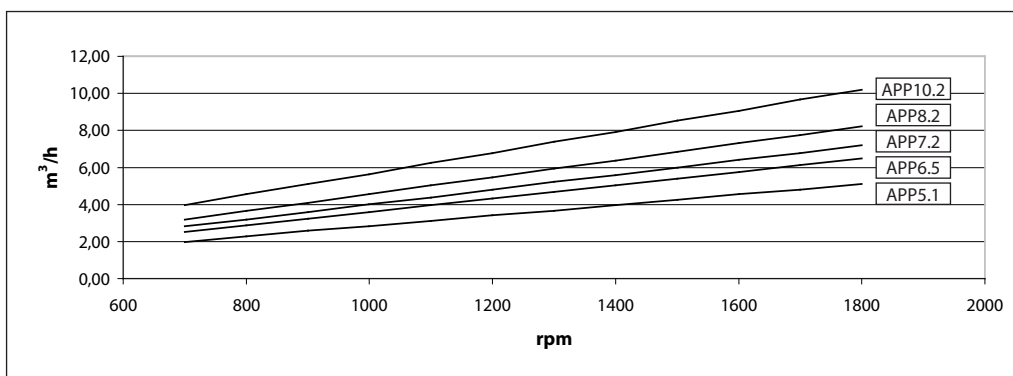
²⁾ For lower pressure, please contact Danfoss RO Solutions Sales Organization.

³⁾ For higher pressure, please contact Danfoss RO Solutions Sales Organization. Intermittent pressure is acceptable for less than 10 seconds per minute.

⁵⁾ For speeds above 1500 rpm the APP pump must be boosted at a pressure of 2-5 bar (29-72.5 psi).

4. Flow at different rpm

Using the diagram shown below, it is easy to select the APP pump which fits the application best if the flow required and the rotation speed (rpm) of the pump are known.



Furthermore, this diagram shows that the flow can be changed by changing the rotation speed of the pump. The flow/rpm ratio is constant, and the "desired" flow can be obtained by changing the rotation speed to a corresponding value. Thus, the required rpm can be determined as:

$$\text{Required rpm} = \frac{\text{Desired flow} \times \text{Rated rpm}}{\text{Rated flow}}$$

5. Power requirements

Pump model	Flow			Pressure			rpm	Calc. factor
	l/min	m³/h	gpm	60 bar	70 bar	80 bar		
				870 psi	1015 psi	1160 psi		
APP 5.1	66	4.0	17.4	8.3kW	9.7 kW	11.1 kW	1460	475.2
APP 5.1	79	4.7	20.9	10.0 kW	11.7 kW	13.4 kW	1752	475.2
APP 6.5	83	5.0	22.0	10.5 kW	12.3 kW	14.0 kW	1460	475.2
APP 6.5	100	6.0	26.4	12.6 kW	14.7 kW	16.8 kW	1752	475.2
APP 7.2	93	5.6	24.6	11.6 kW	13.5 kW	15.5 kW	1470	480.6
APP 7.2	112	6.7	29.5	13.9 kW	16.3 kW	18.6 kW	1764	480.6
APP 8.2	106	6.4	28.1	12.7 kW	14.8 kW	16.9 kW	1470	502.2
APP 8.2	128	7.7	33.7	15.3 kW	17.8 kW	20.3 kW	1764	502.2
APP 10.2	133	8.0	35.1	16.0 kW	18.7 kW	21.4 kW	1470	496.2
APP 10.2	159	9.6	42.1	19.3 kW	22.5 kW	25.7 kW	1764	496.2

The power requirements can be determined using one of the following guiding equations:

$$\text{Required power} = \frac{\text{l/min} \times \text{bar}}{\text{Calc. factor}} \text{ [kW]} \text{ or } \frac{16.7 \times \text{m}^3/\text{h} \times \text{bar}}{\text{Calc. factor}} \text{ [kW]} \text{ or } \frac{0.26 \times \text{gpm} \times \text{psi}}{\text{Calc. factor}} \text{ [kW]}$$

1 hp	=	0.75 kW
1 kW	=	1.34 hp
1 gpm	=	3.79 l/min
1 l/min	=	0.26 gpm
1 m³/h	=	4.40 gpm
1 gpm	=	0.23 m³/h

6. Inlet pressure

Water supply to the APP pump is either made from a tank placed above the pump or directly from a feed pump. The pressure at the pump inlet (I) must be in the range: 0.5 - 5 bar (7.3 - 72.5 psi).

7. Temperature and corrosion

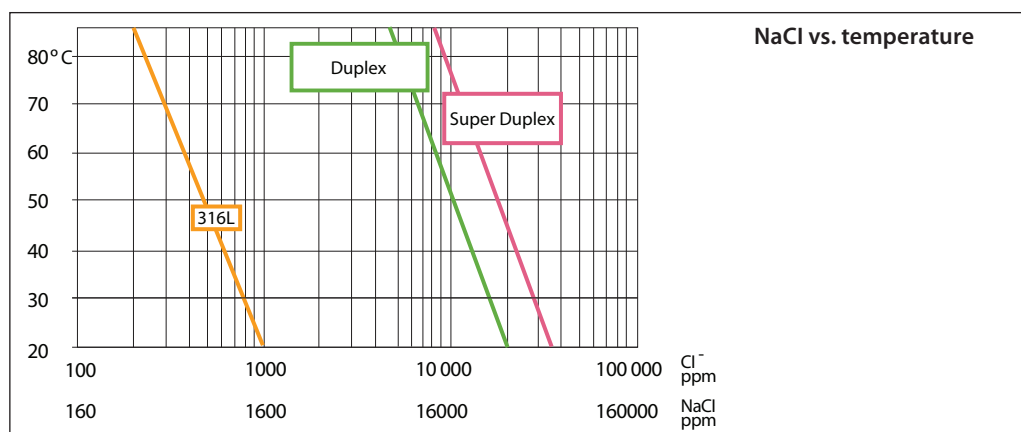
7.1 Operation

Fluid temperature:
+3° C to +50° C (+37.4° F to 122° F) - dependent on the NaCl concentration

Ambient temperature:
+3° C to +50° C (+37.4° F to 122° F)

The chart below illustrates the corrosive resistance of different types of stainless steel related to NaCl concentration and temperature.

All critical parts of the APP pump are made of SAF 2507. If the APP pump is operated at high salinity, always flush the pump with fresh water at operation stop in order to minimise the risk of crevice corrosion.



7.2 Storage

Storage temperature:
-40° C to +70° C (+37.4° F to 122° F) – provided that the APP pump is drained of fluid and stored "plugged".

Antefreeze protection is required at temperatures below 2° C. Danfoss recommends using Dowcal N from Dow Chemical Company or Chillsafe mono propylene glycol from Arco Chemical Company.

8. Noise level

The chart indicates the noise level in dB(A) measured at a distance of 1 m from the APP pump in a reverberation room.

Type	60 bar (580 psi) 1500 rpm	60 bar (580 psi) 1800 rpm	80 bar (2000 psi) 1500 rpm	80 bar (2000 psi) 1800 rpm
APP 5.1	74	79	73	78
APP 6.5	74	79	73	78
APP 7.2	74	79	73	78
APP 8.2	74	79	73	78
APP 10.2	74	79	73	78

Generally, noise will be reduced if speed is reduced and vice versa. Use flexible hoses in order to minimize vibrations and noise.

It is therefore very important that the APP pump is mounted correctly on a frame with vibration absorber to minimize vibrations and noise.

Since the APP pump is typically mounted on a bell housing or frame, the noise level can only be determined for the complete unit (system).

The noise level is influenced by:

- The speed of the pump, high rpm create more noise than low rpm
- Rigid mounting of the pump generates more noise than flexible mounting
- Pipe mounting direct to the pump increases the noise level compared to a flexible hose

9. Filtration

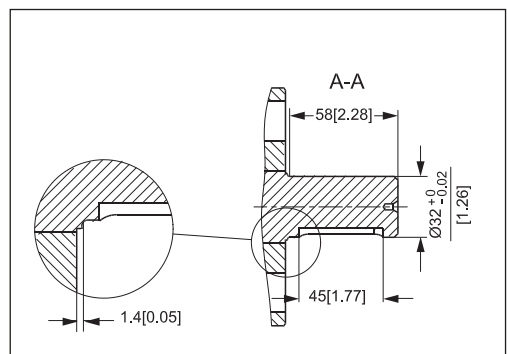
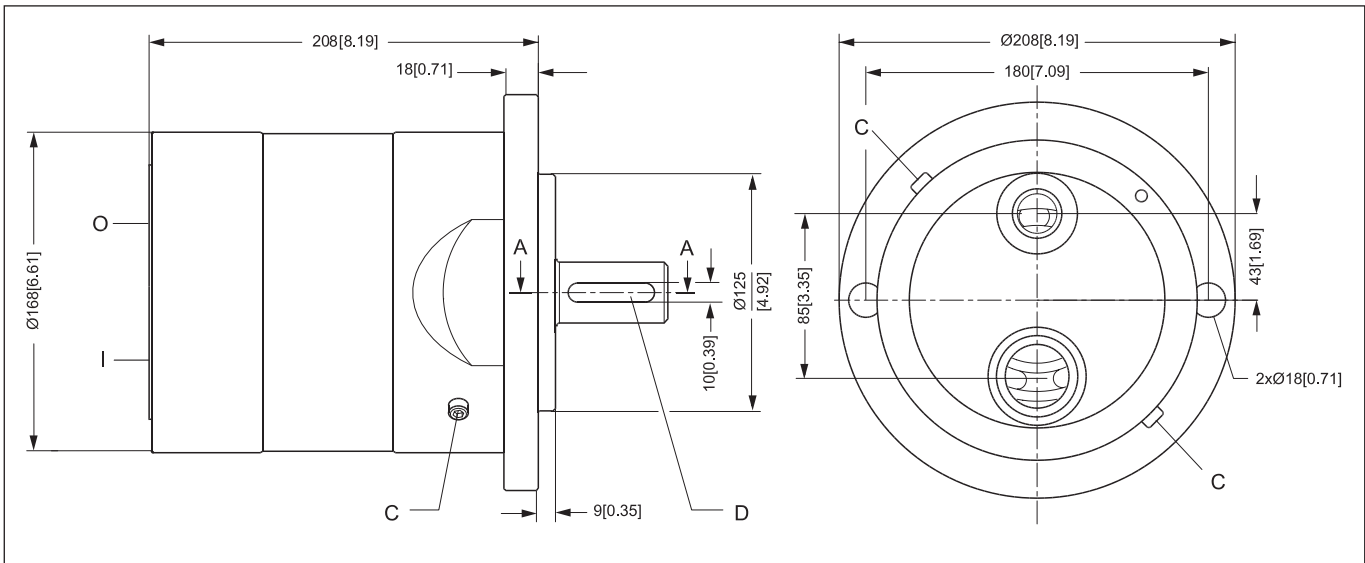
As water has very low viscosity, the APP pumps have been designed with very narrow clearance in order to control internal leakage rates and improve component performance. Therefore it is important that the inlet water is filtered properly to minimize the wear of the pump.

For more information on the importance of proper filtration, please consult our publication "Filtration" (code number 521B0861), which also will provide you with an explanation of filtration definitions and a guidance on how to select the right filter.

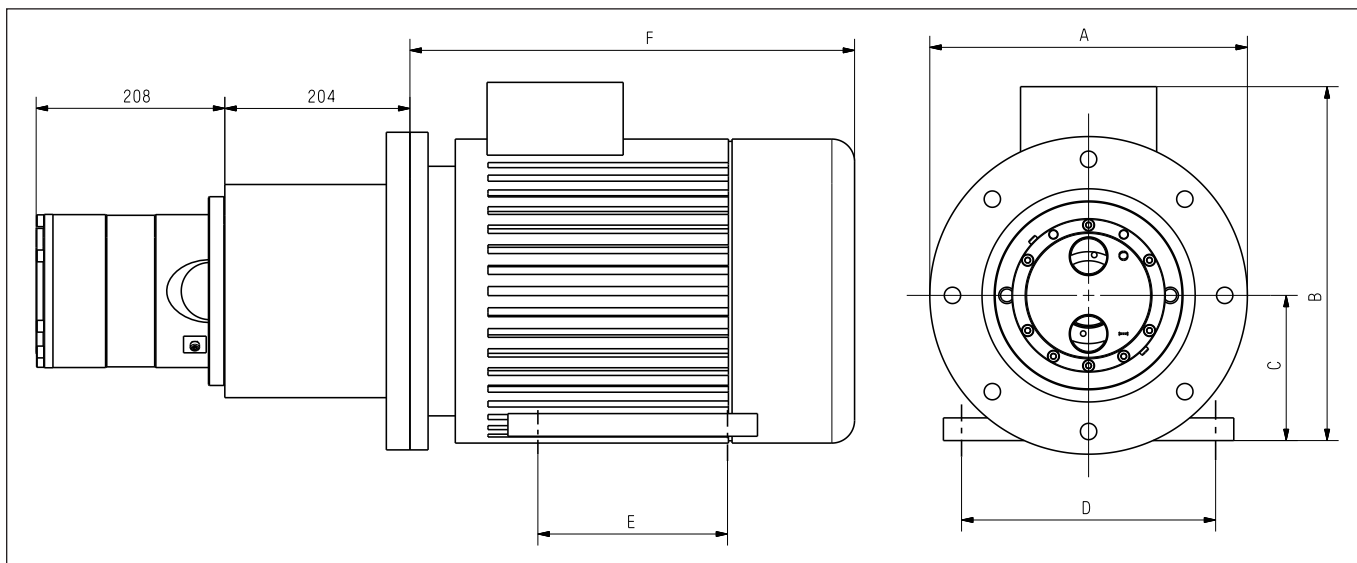
The main filter must have a filtration efficiency of 99.98% at 10 µm. We recommend that you use precision depth filter cartridges rated 10µm abs. β10>5000 (equivalent to a filtration efficiency of 99.98%). Bag filters and string wound filter cartridges typically have only 90% filtration efficiency. This means that for each 100,000 particles reaching the filter, 10,000 particles pass through it compared to only 20 particles in a filter with an efficiency of 99.98%.

10. Dimensions

10.1 APP pump



Description			APP 5.1 and APP 10.2
C	Bleeding		M6, Hexagon AF = 5 mm
D	Parallel key, DIN 6885	mm	10 × 8 × 45
		inches	0.39 × 0.31 × 1.77
I	Inlet connection		M42 x 1.5 x 13 mm (0.51 inch) depth
O	Outlet connection		M42 x 1.5 x 13 mm (0.51 inch) depth
Pump mounting flange			125 A2

10.2 Complete unit


Pump	A (mm)	B (mm)	C (mm)	D (mm)	E (mm)	F (mm)	IEC Electric motor
APP 5.1	350	437	160	254	210	498	11 kW, HUC2 160 M-4
APP 6.5	350	437	160	254	254	542	15 kW, HUC2 160 L-4
APP 7.2	350	437	160	254	254	542	15 kW, HUC2 160 L-4
APP 8.2	350	473	180	279	241	578	18.5 kW, HUC2 180 M-4
APP 10.2	350	473	180	279	279	616	22 kW, HUC2 180 L-4
APP 10.2	400	513	200	318	305	659	30 kW, HUC2 200 L-4

For inlet and outlet connections data, see "Accessories catalogue" (521B0903).

11. Installation

11.1 Mounting

The figure below illustrates how to mount the APP pump and connect it to an electric motor/ combustion engine.

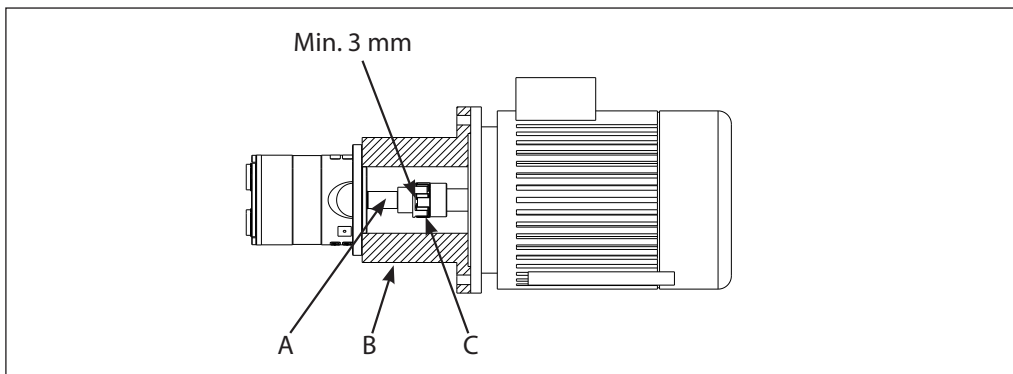
- A: Flexible coupling
- B: Bell housing
- C: Motor shaft

If alternative mounting is required, please contact Danfoss Sales Organization for further information.

To ensure easy mounting of the flexible coupling without using tools, the tolerances must be dimensioned accordingly.

Note: Any axial and/or radial loads on the shaft must be avoided

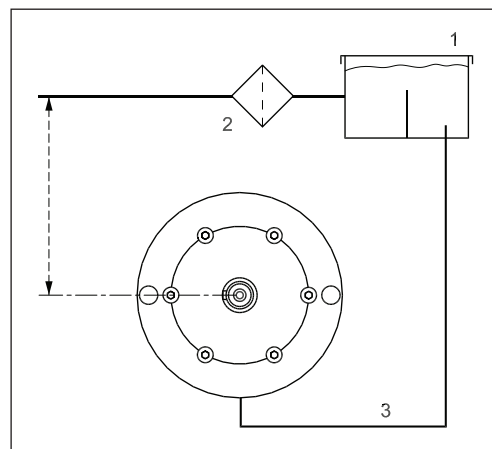
The APP pump should be connected to the rest of the plant with a flexible hoses.



11.2 Open-ended systems with water supply from tank

In order to eliminate the risk of cavitation, a positive inlet pressure should always be maintained by observing the following guidelines:

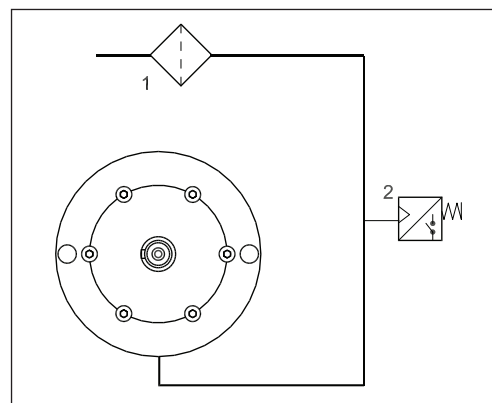
1. Place the tank (1) above the APP pump inlet (water level in tank should always be above the pump).
2. Place a filter (2) in the water supply line in front of the tank.
3. Dimension the inlet line (3) with minimum pressure drop (large internal diameter, minimum length of pipe, avoid bends and fittings with small internal diameter).



11.3 Open-ended system with direct water supply

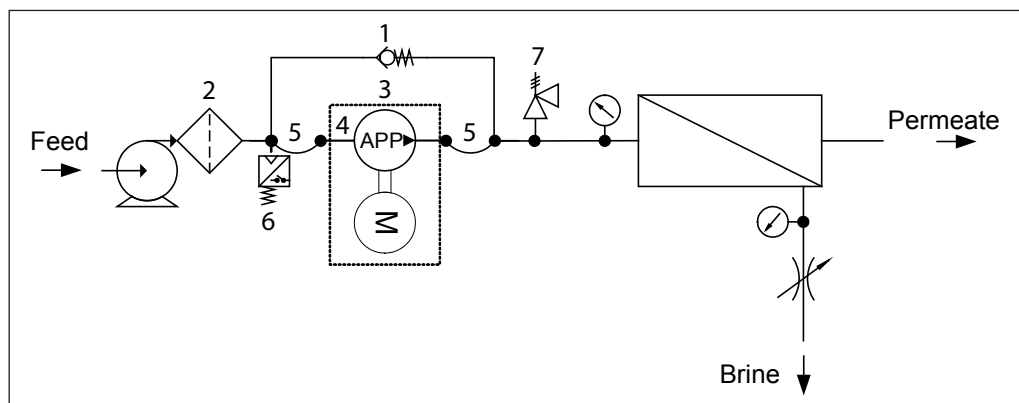
In order to eliminate the risk of cavitation, a positive inlet pressure is always to be maintained at min. 0.5 bar (7.3 psi) and max. 5 bar (72.5 psi).

1. Place the filter (1) in the water supply line in front of the APP pump.
2. Place a monitoring pressure switch (2) set at min. 1 bar (14.5 psi) between filter and pump inlet. The monitoring switch must stop the pump at pressures lower than 1 bar (14.5 psi) At speeds above 1500 rpm - use 2 bar (29 psi) as set point.



11.4 RO system with APP pump

1. For easy system bleeding and flushing, apply a bypass non-return valve (1) in parallel with the APP pump.
2. Place an inlet filter (2) in front of the APP pump (3). Please consult section 9, "Filtration" for guidance on how to select the right filter. Thoroughly clean pipes and flush system prior to start-up.
3. Place a monitoring pressure switch (6) set at min. 1 bar between filter and pump inlet. The monitoring switch must stop the pump at pressures lower than 1 bar (14.5 psi). Above 1500 rpm - use 2 bar (29 psi) as set point.
4. Dimension the inlet line to obtain minimum pressure loss (large flow, minimum pipe length, minimum number of bends/connections, and fittings with small pressure losses).
5. In order to eliminate the risk of damage and cavitation, a positive pressure at the inlet (4) is always to be maintained at min. 0.5 bar (7.3 psi) and max. 5 bar (72.5 psi). At speeds above 1500 rpm the pressure at the inlet of the APP pump must be min. 2 bar (29 psi).
6. Use flexible hoses (5) to minimize vibrations and noise.
7. Install a safety valve (7) in order to avoid system damage as the APP pump creates pressure and flow immediately after startup, regardless of any counter-pressure.



12. Service

Provided that the APP pump has been running according to the Danfoss specifications on pre-filtration, pressure, and rotation speed, Danfoss guarantees minimum 8,000 hours operation, however max. 18 months from date of sale.

To prevent a total and disastrous breakdown, Danfoss recommends a pump inspection after max. 8,000 hours – at which any worn parts must be replaced.

Note: It is always recommended to replace pistons and shaft sealing if another service-free period is to be obtained.

If the pistons are not replaced, more frequent inspection is recommended.

The APP pump is made of Duplex/Super Duplex materials with fine corrosion properties. However, it is always recommended to flush the APP pump when the system is shut down.

The shaft sealing in the APP pump is made of Hastelloy C. At high TDS and high water temperature, the service life of the shaft sealing will be reduced. For these applications it is recommended to replace the shaft sealing after approx. 4,000 hours operation.

12.1 Periodic maintenance

Water acts as lubricant in the APP pump. Thus there is no oil in the pump.

By operation below the curve for SAF 2507 in the figure in section 7.1, no parts are expected to be replaced within the first 8,000 hours of operation.

12.2 Repair

In case of irregular function of the APP pump, please contact the Danfoss RO Solutions Sales Organisation.

Danfoss A/S
High Pressure Pumps
DK-6430 Nordborg
Denmark

Danfoss can accept no responsibility for possible errors in catalogues, brochures and other printed material. Danfoss reserves the right to alter its products without notice. This also applies to products already on order provided that such alterations can be made without subsequential changes being necessary in specifications already agreed. All trademarks in this material are property of the respective companies. Danfoss and the Danfoss logotype are trademarks of Danfoss A/S. All rights reserved.
